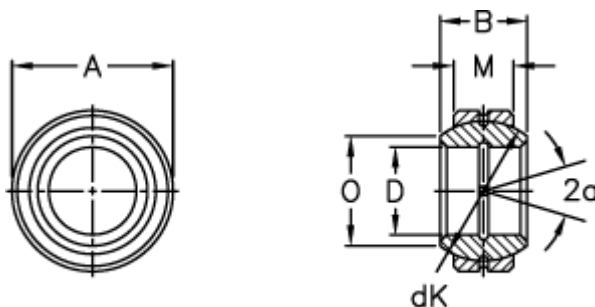


Article number: 03505020

Description: Fluro Rod end GE 20FO

## Measures



Str. 6–12 uden smørerille

A	= 42 0 -0,011	Tilt angle = 17
B	= 25	Weight = 150
D	= 20 0 -0,010	
dK	= 35.5	
Dynamic load C (kN)	= 48	
M	= 16	
O	= 25.2	
Static load C0 (kN)	= 240	